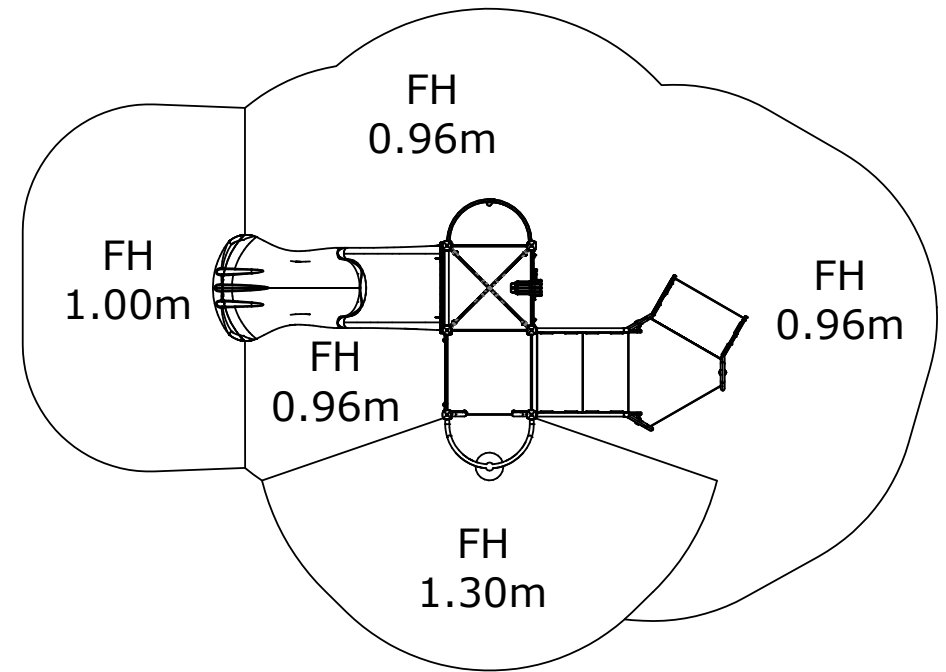
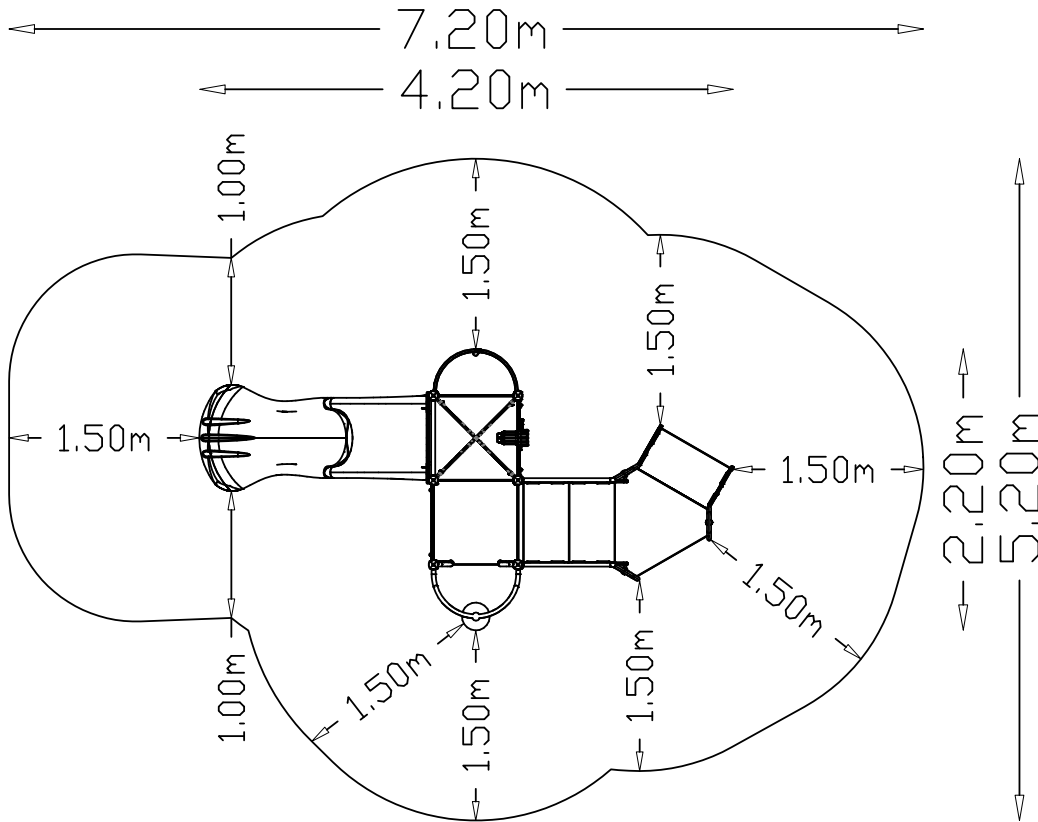


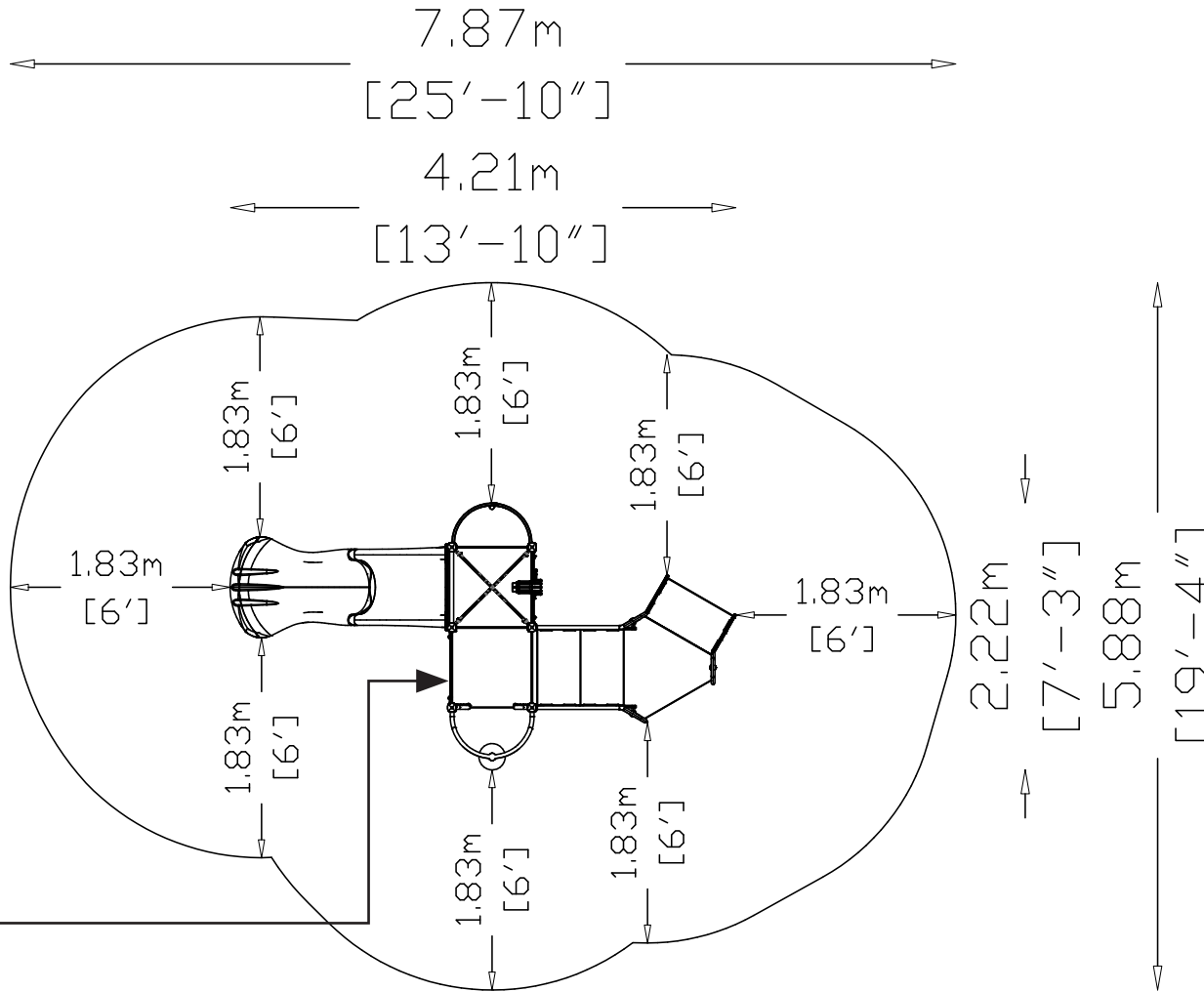
# EN1176



S8

ASTM F1487  
4'-3"

# ASTM F1487



**INSTALL 101**

<p><b>WARNING</b></p> <p>Playset equipment must not be used as a structure, support or padding surface for activities outside of public play. They must not be used as a structure for any other purpose while in use. It is intended for use by children only.</p>	<p><b>WARNING</b></p> <p>Children are required to use only the surface caught on slides and other playset equipment. Before allowing children to play, verify that the surface is clean, dry, and free of any debris, holes, or other damage. Do not allow children to play on the surface if it is damaged.</p>	<p><b>play smart! rules</b></p> <p>Do not play on broken or damaged equipment. Report it.</p> <p>Do not play without adequate safety supervision and/or adult supervision.</p> <p>No running, pushing or shoving on equipment.</p> <p>Do not play on top of equipment and do not climb on equipment.</p> <p>Watch your head. Do not run, jump, or fall on equipment.</p> <p>Do not play on swings or on equipment that is in use.</p> <p>Do not play on or near equipment that is in use.</p> <p>Do not play on or near equipment that is in use.</p> <p>Do not play on or near equipment that is in use.</p>
<p><b>WARNING</b></p> <p>All playset equipment and rubber surfacing must be installed in accordance with the manufacturer's instructions. Check for hot surfaces before allowing children to play. Children should wear appropriate shoes at all times.</p>	<p><b>WARNING</b></p> <p>Playset equipment must not be used as a structure, support or padding surface for activities outside of public play. They must not be used as a structure for any other purpose while in use. It is intended for use by children only.</p>	<p>Adults - do not slide with a child on your lap. It can injure your child's legs.</p> <p>Before letting go of overhead bars, hand grips and hand holds, a child must slide straight down with both feet.</p> <p>Do not slide down with your feet on the side rails.</p> <p>Do not swing while playing and be careful.</p>

**INSTALL 101**

**HAGS**

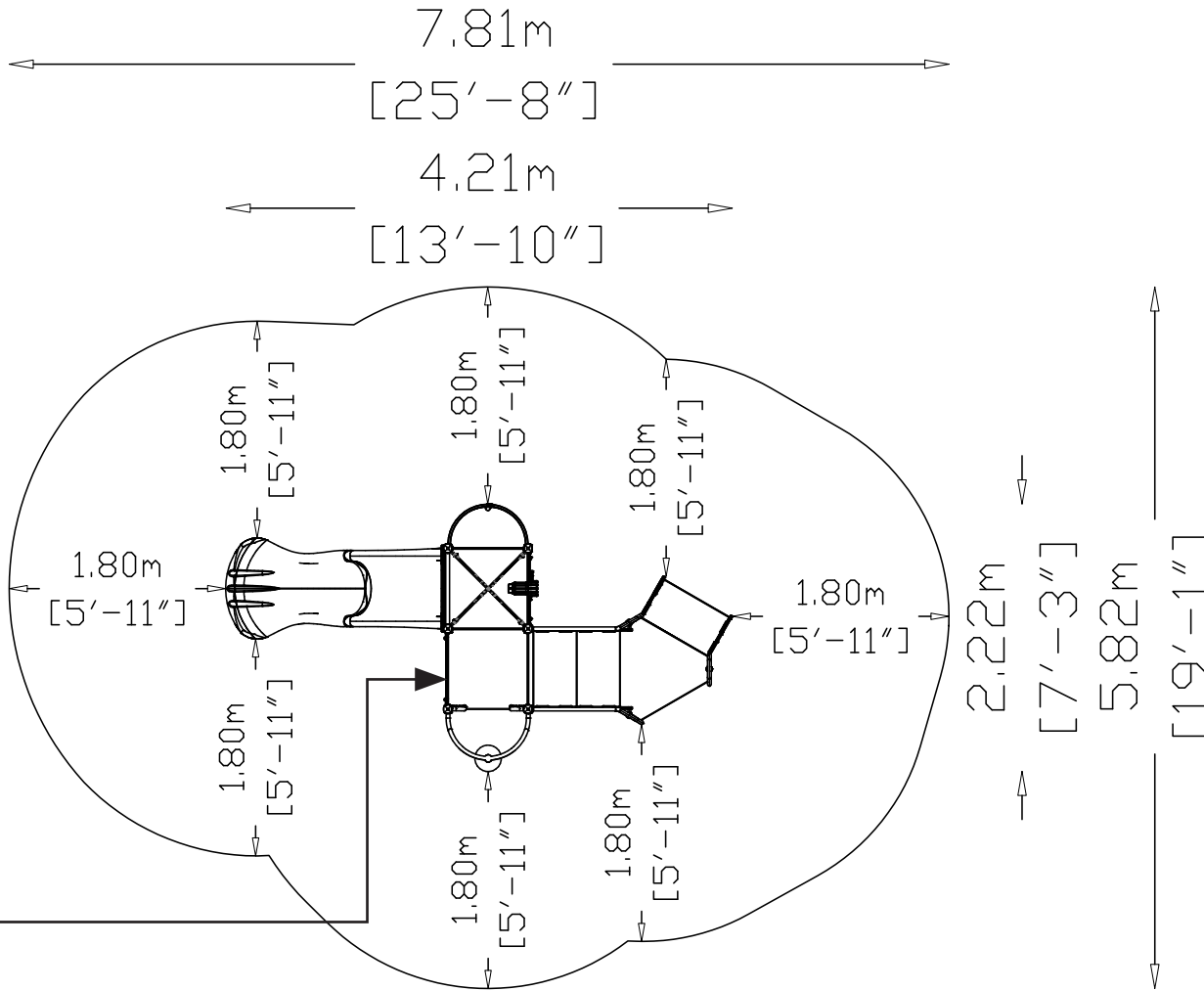
FOR KIDS AGES  
**2-5**  
YEARS

ADULT SUPERVISION RECOMMENDED  
www.hags.com

S9

CSA Z 614  
1.30m  
[4'-3"]

# CSA Z614



**INSTALL 101**

<p><b>WARNING</b></p> <p>Playset equipment must not be used as a structure, support or padding surface unless unless play or adult supervision. Check for hot surfaces before allowing children to play.</p>	<p><b>WARNING</b></p> <p>Children are required to use this play set. Do not play on this play set unless you are an adult or older child. Do not play on this play set unless you are an adult or older child. Do not play on this play set unless you are an adult or older child. Do not play on this play set unless you are an adult or older child.</p>	<p><b>play smart! rules</b></p> <p>Do not play on broken or damaged equipment. Report it.</p> <p>Do not play without adequate safety supervision. Do not play on equipment if the labels, notices or drawings should be torn, faded or illegible.</p> <p>Do not play on or run on playground equipment and its structure if it is damaged.</p> <p>Do not play on or run on playground equipment if it is damaged.</p> <p>Do not play on or run on playground equipment if it is damaged.</p> <p>Do not play on or run on playground equipment if it is damaged.</p>
<p><b>WARNING</b></p> <p>All playground equipment and rubber surfacing must be installed in accordance with the manufacturer's instructions. Check for hot surfaces before allowing children to play. Children should wear appropriate shoes at all times.</p>	<p><b>WARNING</b></p> <p>Do not play on or run on playground equipment if it is damaged.</p> <p>Do not play on or run on playground equipment if it is damaged.</p> <p>Do not play on or run on playground equipment if it is damaged.</p> <p>Do not play on or run on playground equipment if it is damaged.</p>	<p>Do not play on or run on playground equipment if it is damaged.</p> <p>Do not play on or run on playground equipment if it is damaged.</p> <p>Do not play on or run on playground equipment if it is damaged.</p> <p>Do not play on or run on playground equipment if it is damaged.</p>

**INSTALL 101**

**HAGS®**

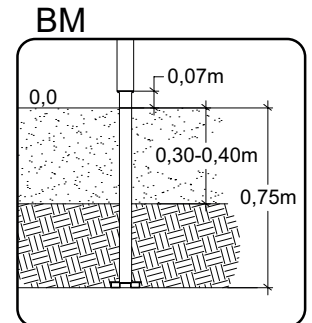
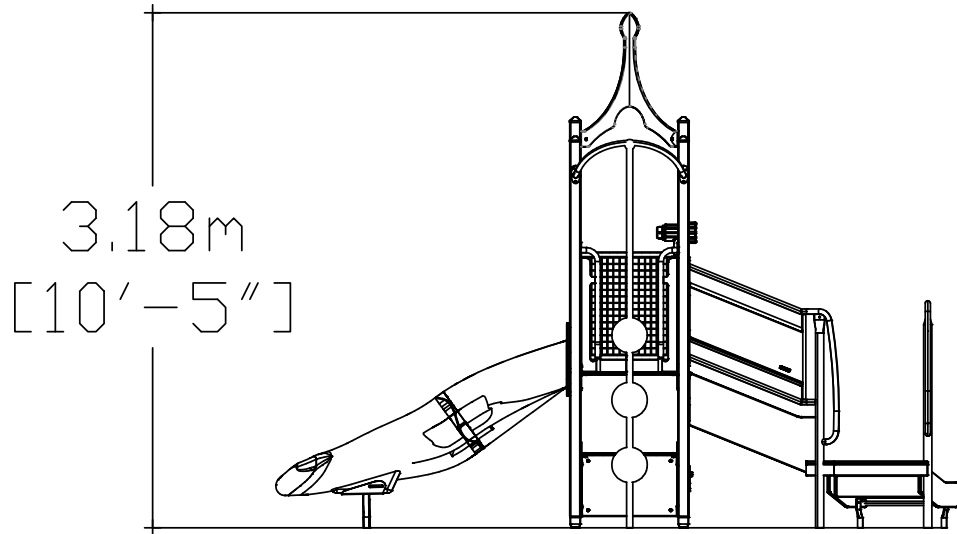
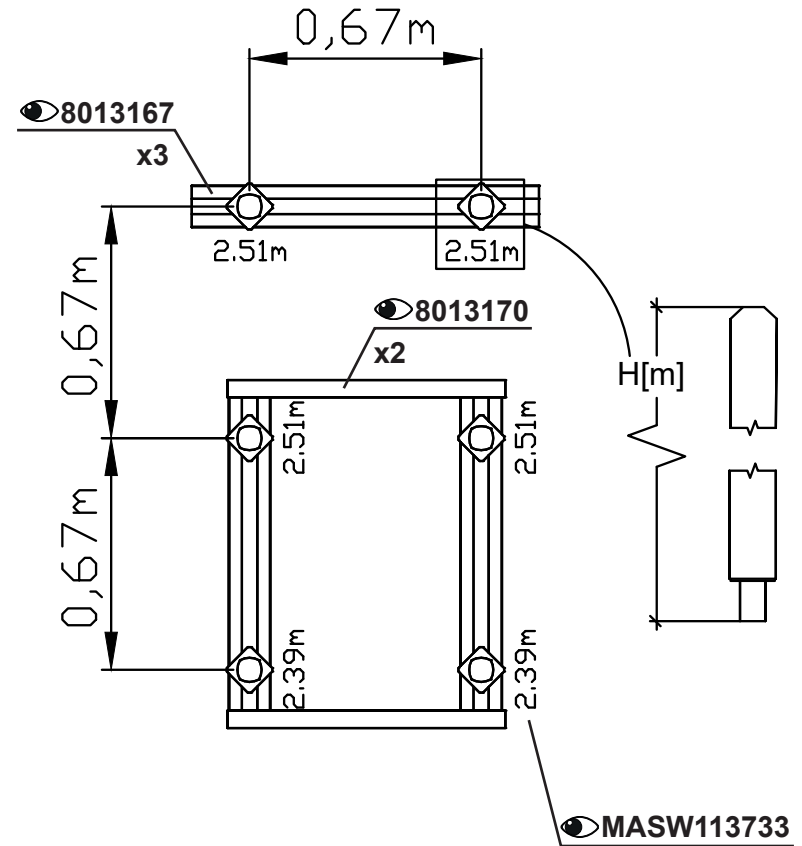
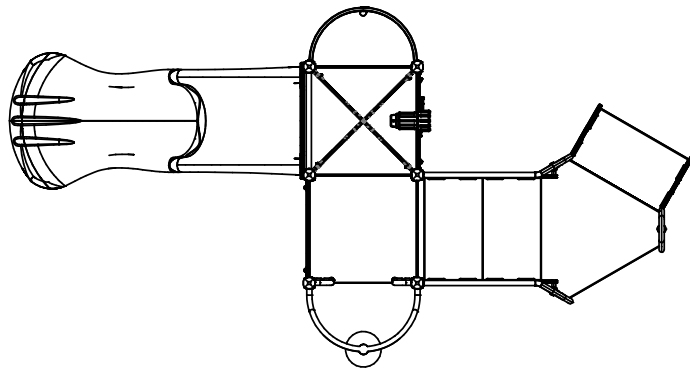
FOR KIDS AGES

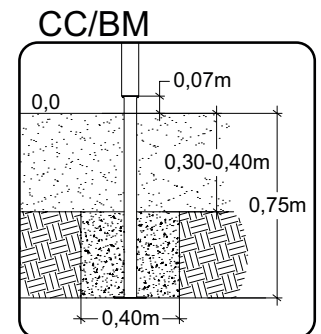
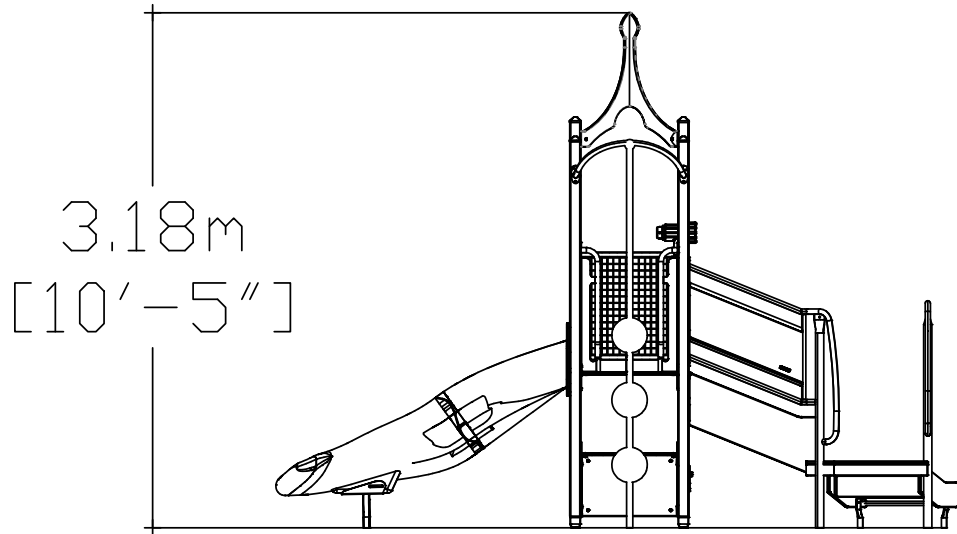
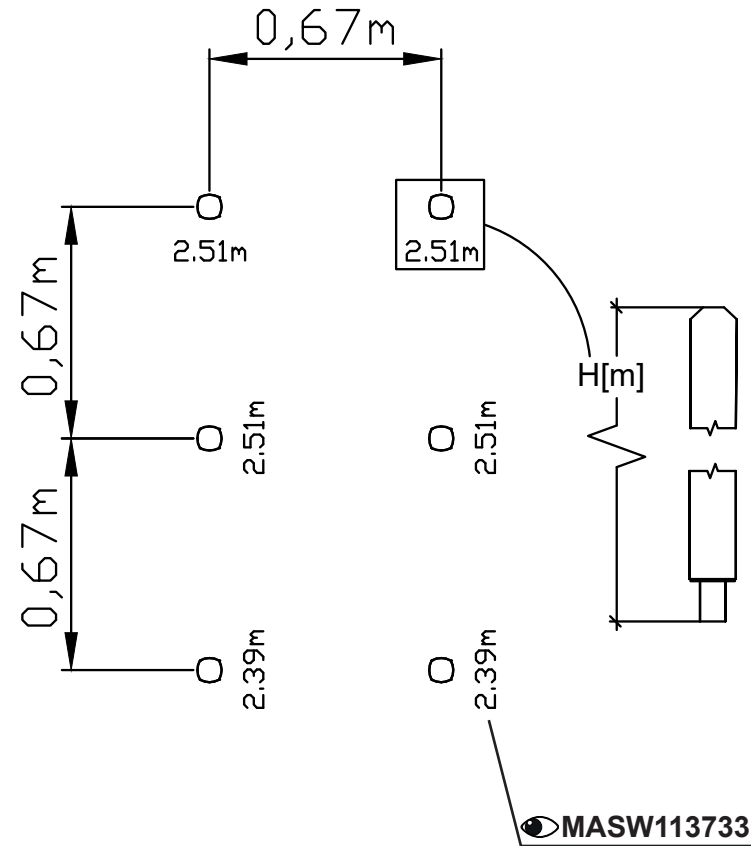
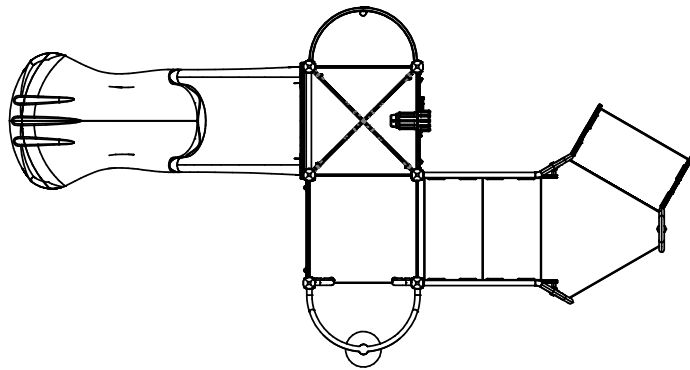
**18-5**

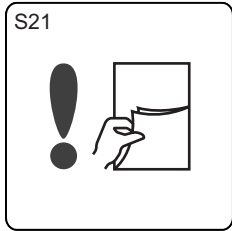
MONTHS YEARS

ADULT SUPERVISION RECOMMENDED

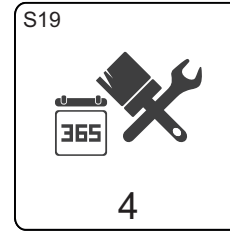
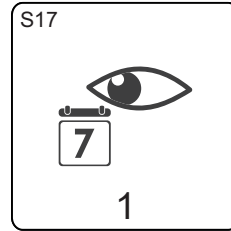
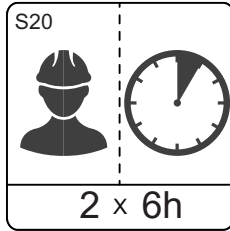
www.hags.com



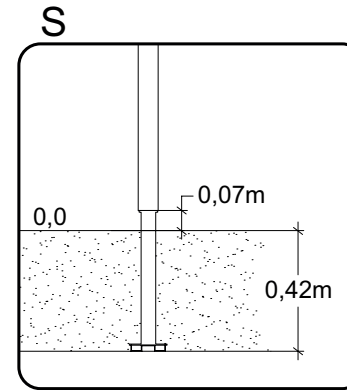




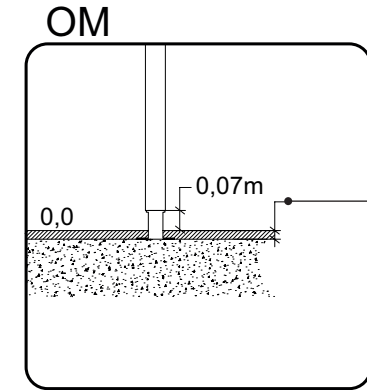
**Install 101**  
**6099**  
**6101**  
**260329**  
**620955**  
**655410**  
**692213**  
**695105**  
**62093813**  
**6211 01**  
**6213 01**  
**MA624U77152**  
**MA622U77152**  
**MAOM675321**  
**MASW113733**  
**MA624U675321**  
**MAUSW117643**  
**MAUSW117644**



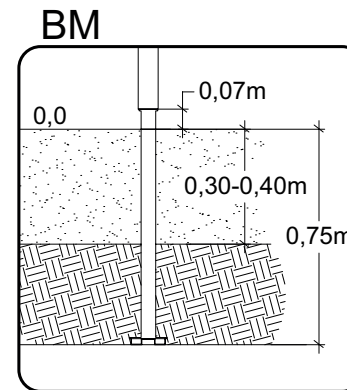
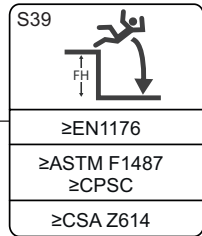
**MASW113733**



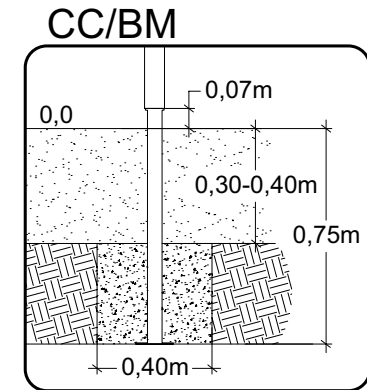
**S**  
**Sunken Foundation**



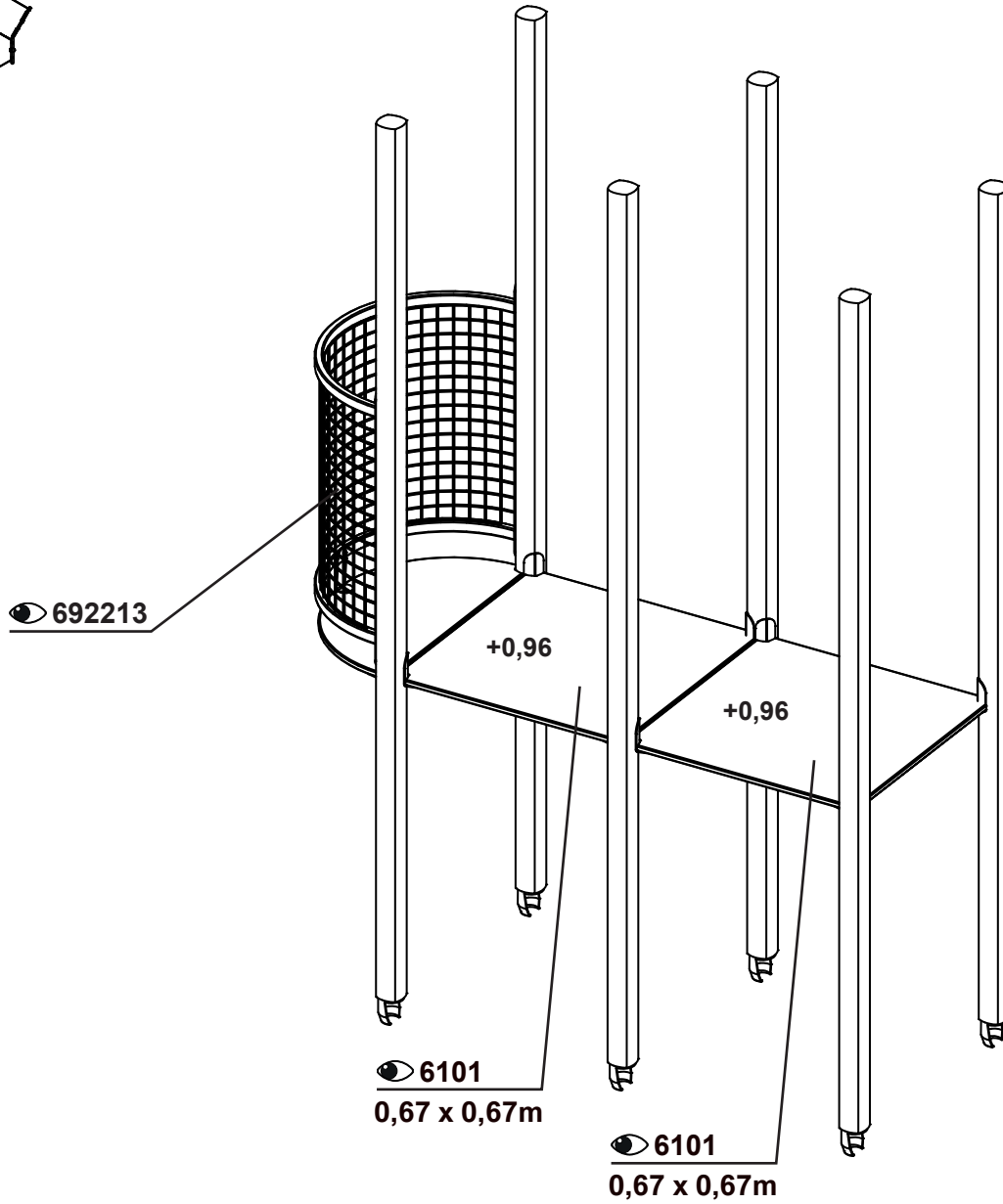
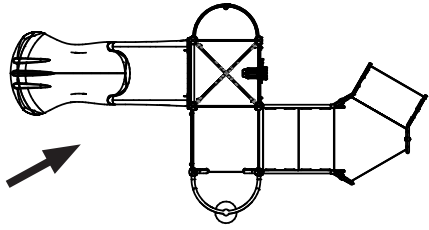
**OM**  
**Above Ground**



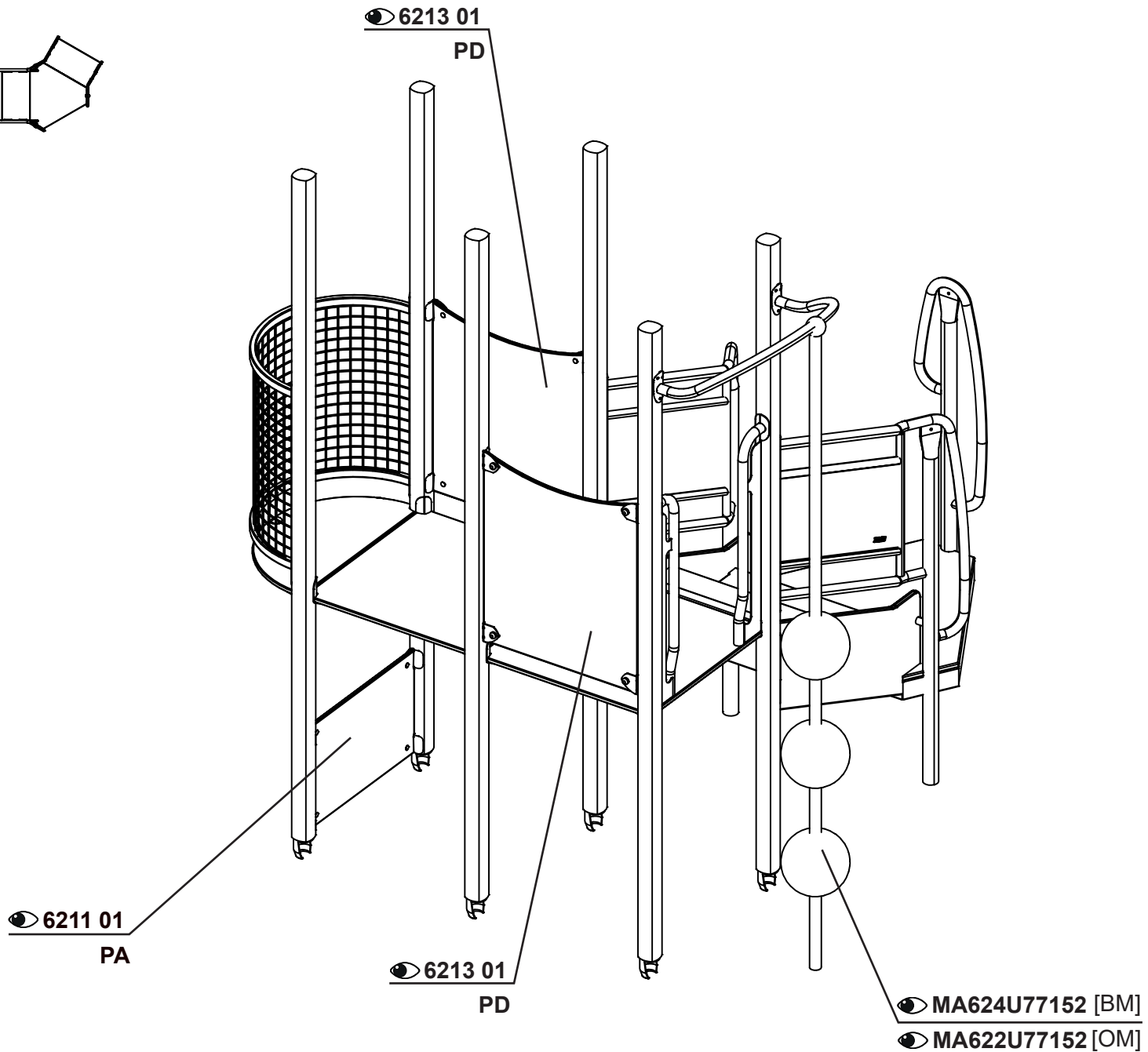
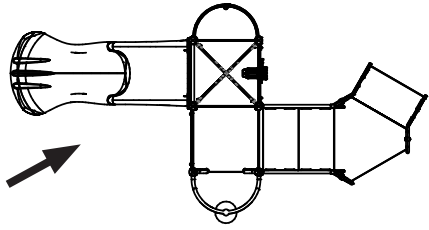
**BM**  
**Loosefill**  
8111713

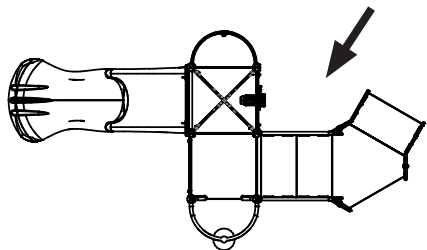


**CC/BM**  
**Cast Loosefill**  
8111713



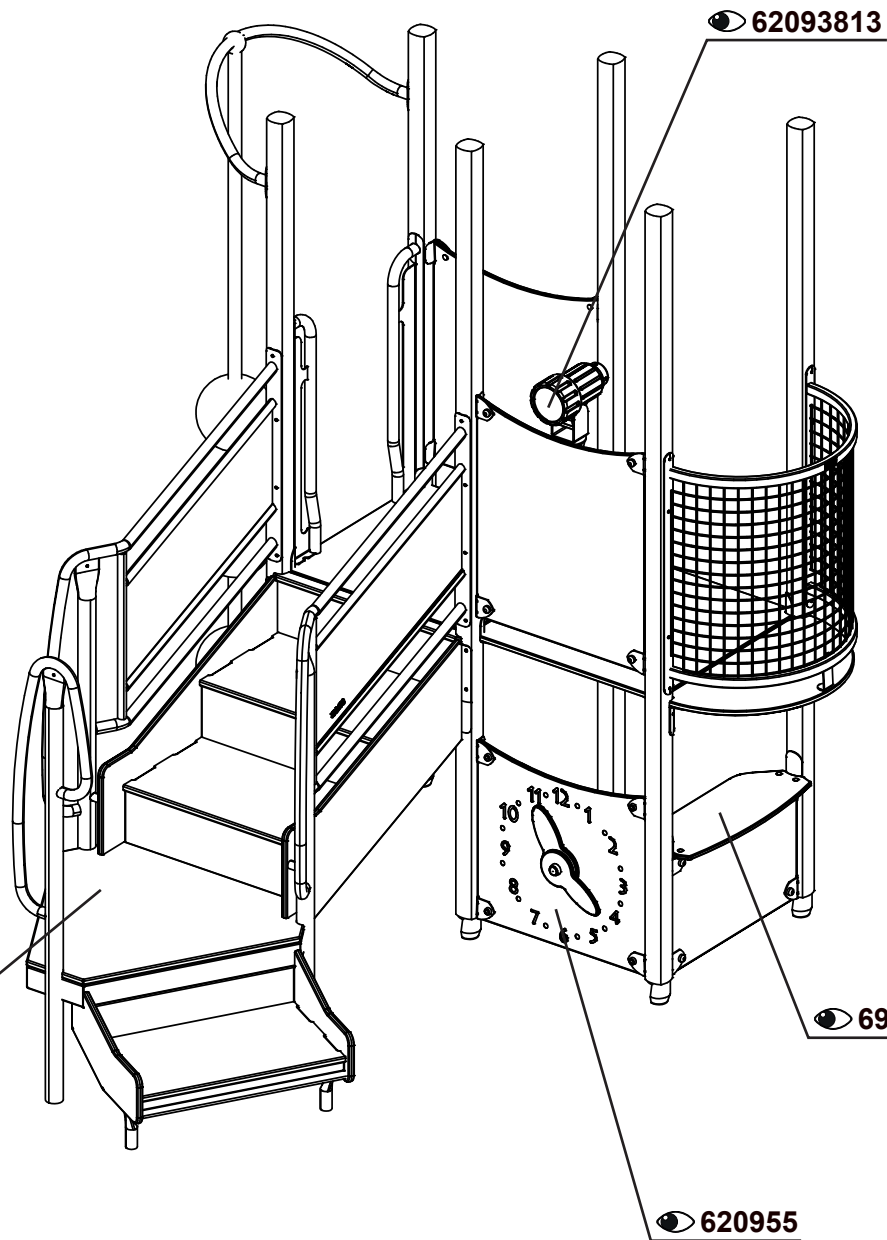






● MA624U675321 [BM]

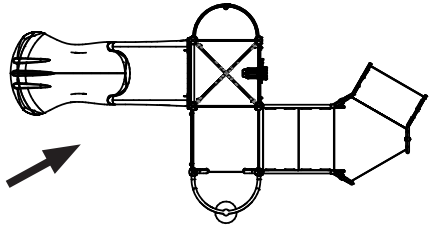
● MAOM675321 [OM]



● 62093813

● 695105

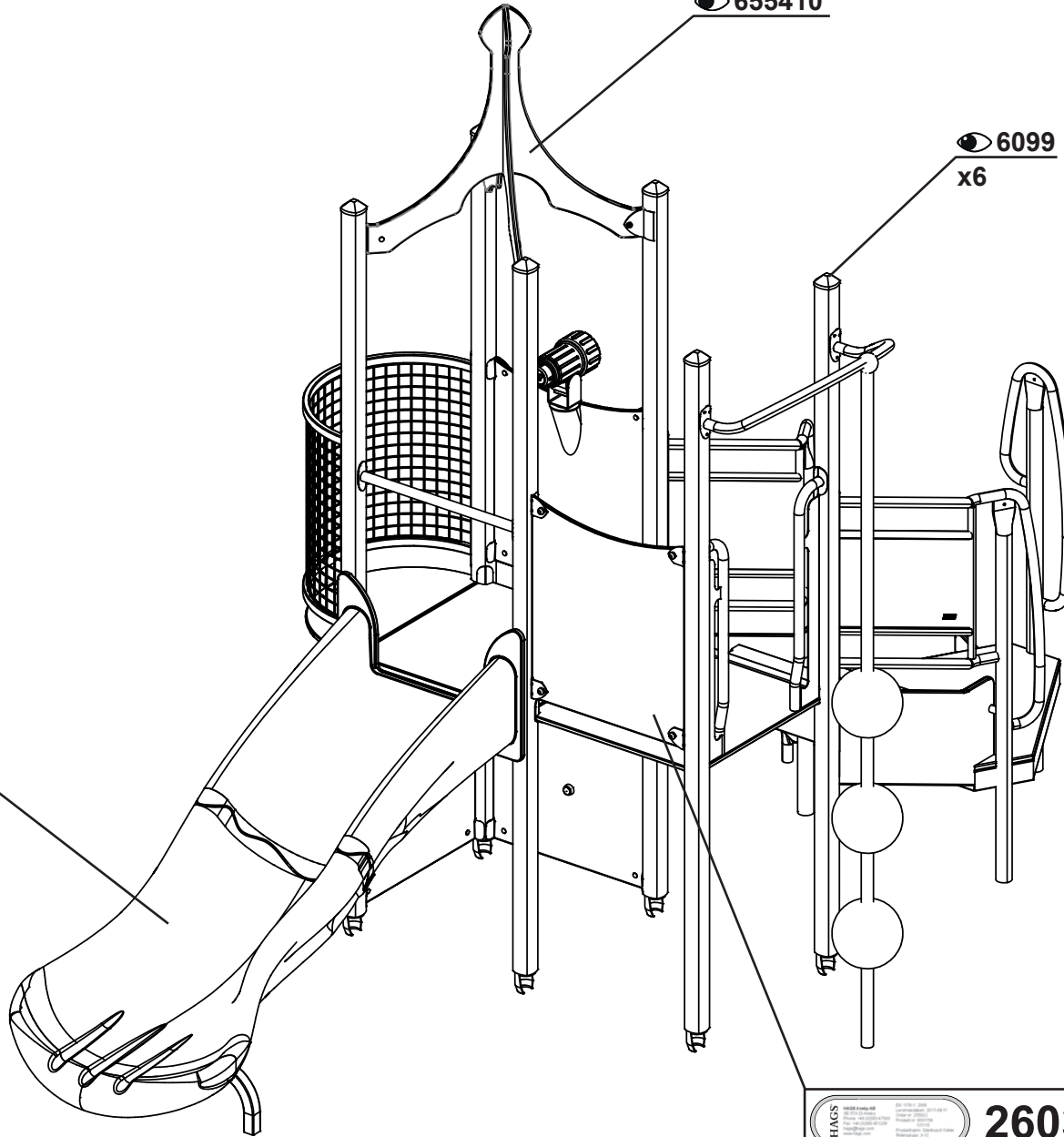
● 620955



655410

6099  
x6

MAUSW117644 [BM]  
MAUSW117643 [OM]



HAGS  
260329